



EINSCHUB NIVEAUREGULIERUNG
SLIDE-IN UNIT FOR CARRIER LEVEL ADJUSTMENT SYSTEM

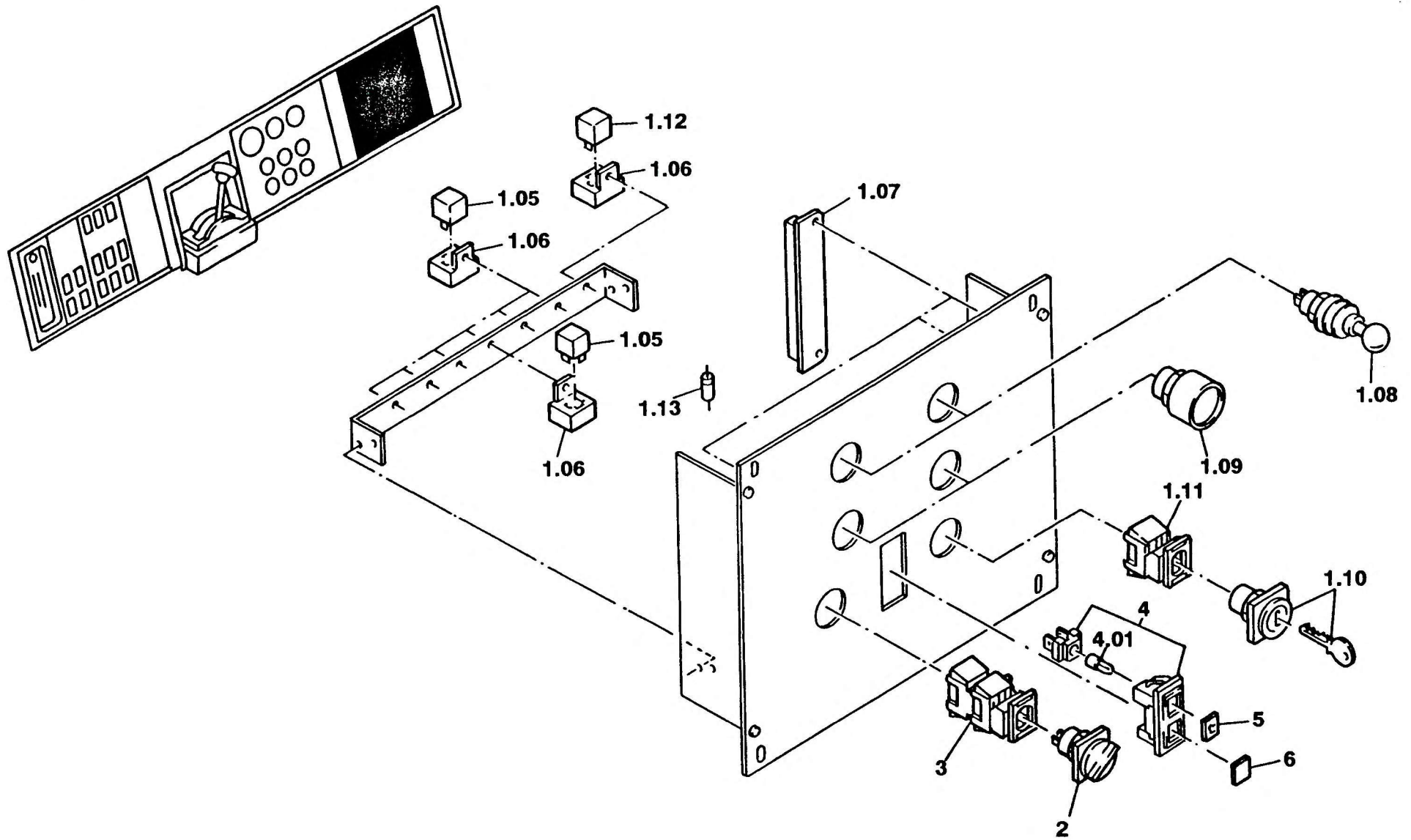
BILDТАFEL
PICTORIAL DISPLAY

KMK 6160
BE 550
G 802

04.91

2083465-ETL

1/1



A05_078